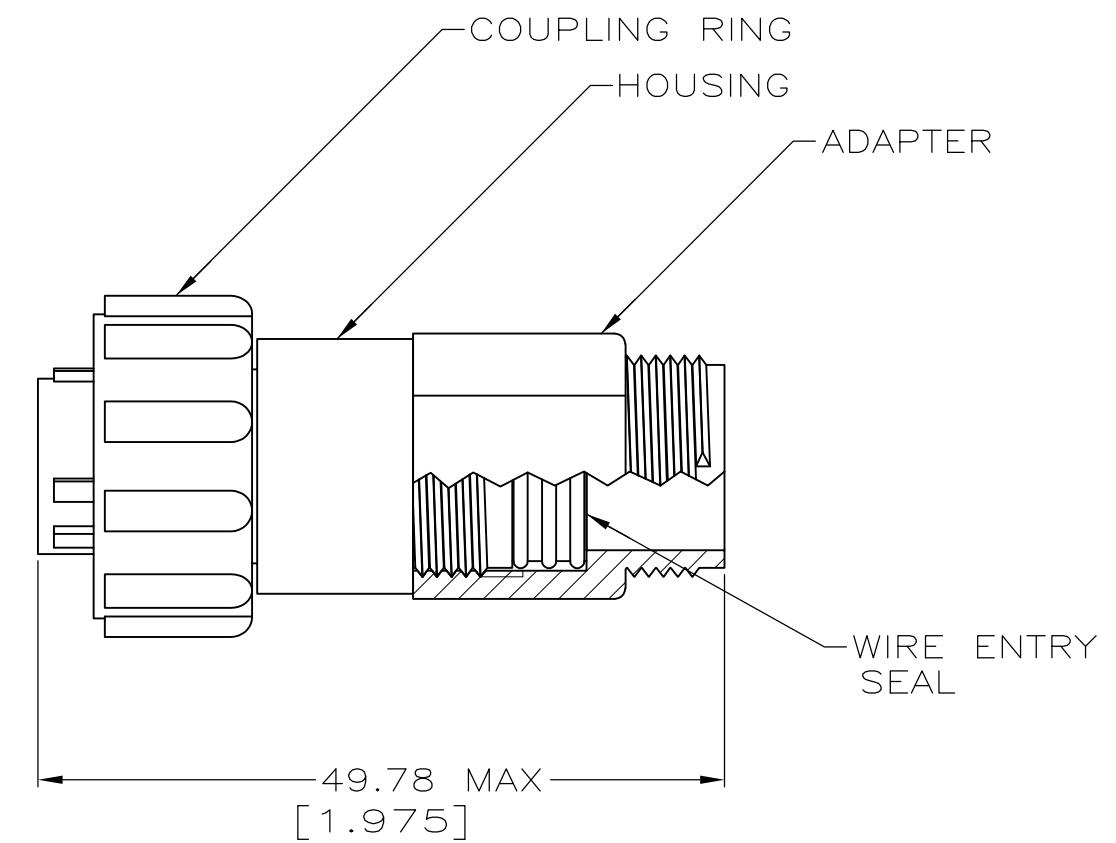
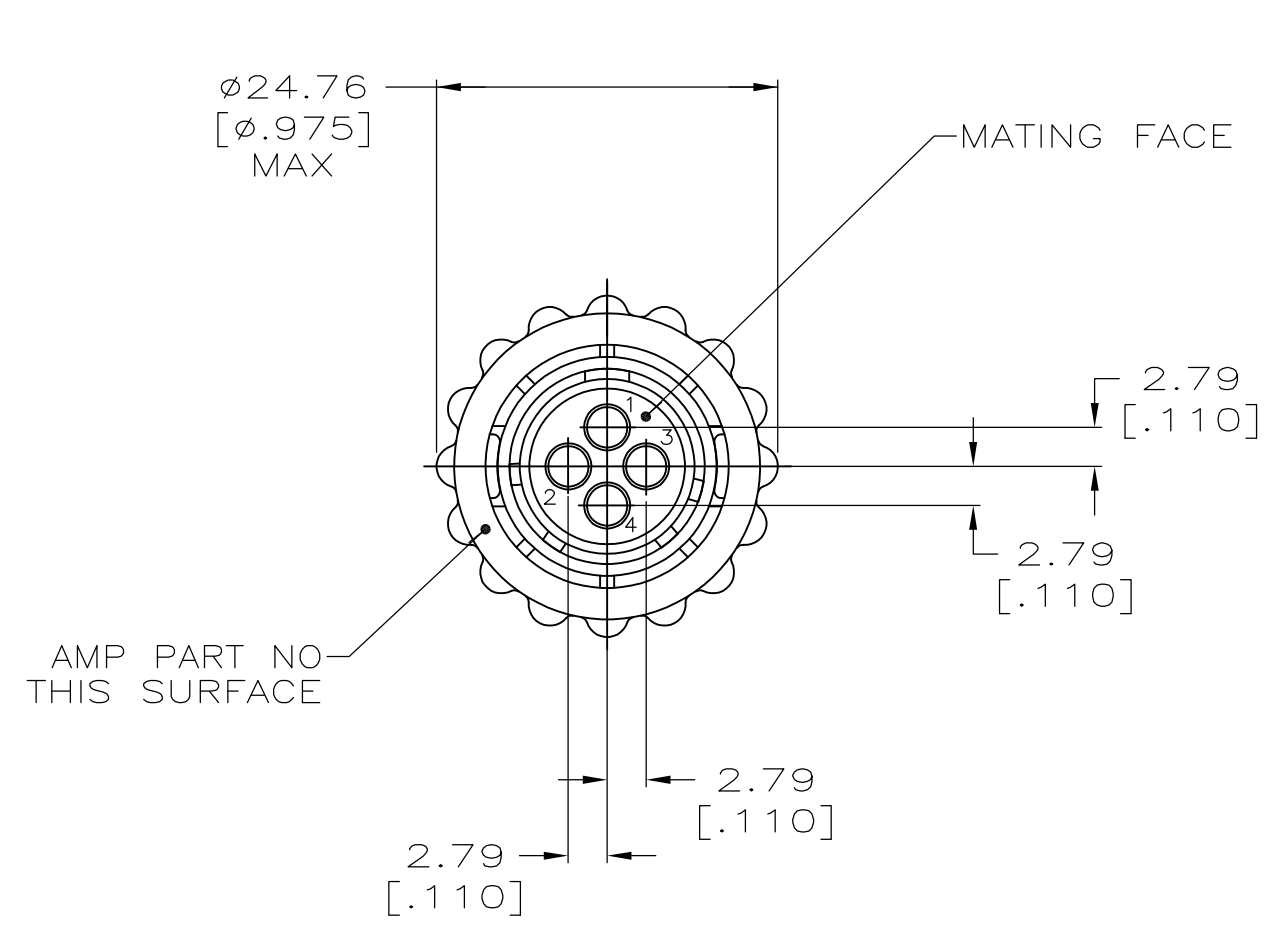


LOC	DIST	REVISIONS					
FT	0	P	LTR	DESCRIPTION	DATE	DWN	APVD
		A		REVISED PER ECO-15-002073	06MAY2015	NK	MZ



- 1 HOUSING, COUPLING RING & ADAPTER: NYLON 6/6, BLACK.  
WIRE ENTRY SEAL: ELASTOMER, RED.
- 2 THIS CONNECTOR WILL ACCEPT FOUR (4) MULTIMATE PIN CONTACTS.
- 3 SPECIAL PACKAGING CONSISTING OF 20 CONNECTORS PER BAG, 5 BAGS PER SHIPPER BOX.

3	788153-3
	788153-2
	PART NUMBER

THIS DRAWING IS A CONTROLLED DOCUMENT.		DWN P.BENNINGHOVE 01 OCT 97	TE Connectivity	
DIMENSIONS: mm [INCHES]		CHK K.DOWHOWER 28 OCT 99		
TOLERANCES UNLESS OTHERWISE SPECIFIED:		APVD K.DOWHOWER 28 OCT 99	NAME PLUG ASSEMBLY, 11-4, REVERSE SEX, SERIES I, SEALED, CPC	
0 PLC ± - 1 PLC ± - 2 PLC ± 0.13[.005] 3 PLC ± - 4 PLC ± - ANGLES ± -		PRODUCT SPEC 108-1579	RESTRICTED TO -	
MATERIAL 1	FINISH -	APPLICATION SPEC 114-10038	SIZE A3	CAGE CODE 00779
		WEIGHT -	DRAWING NO C-788153	
CUSTOMER DRAWING			SCALE 2:1	SHEET 1 of 1
			REV A	